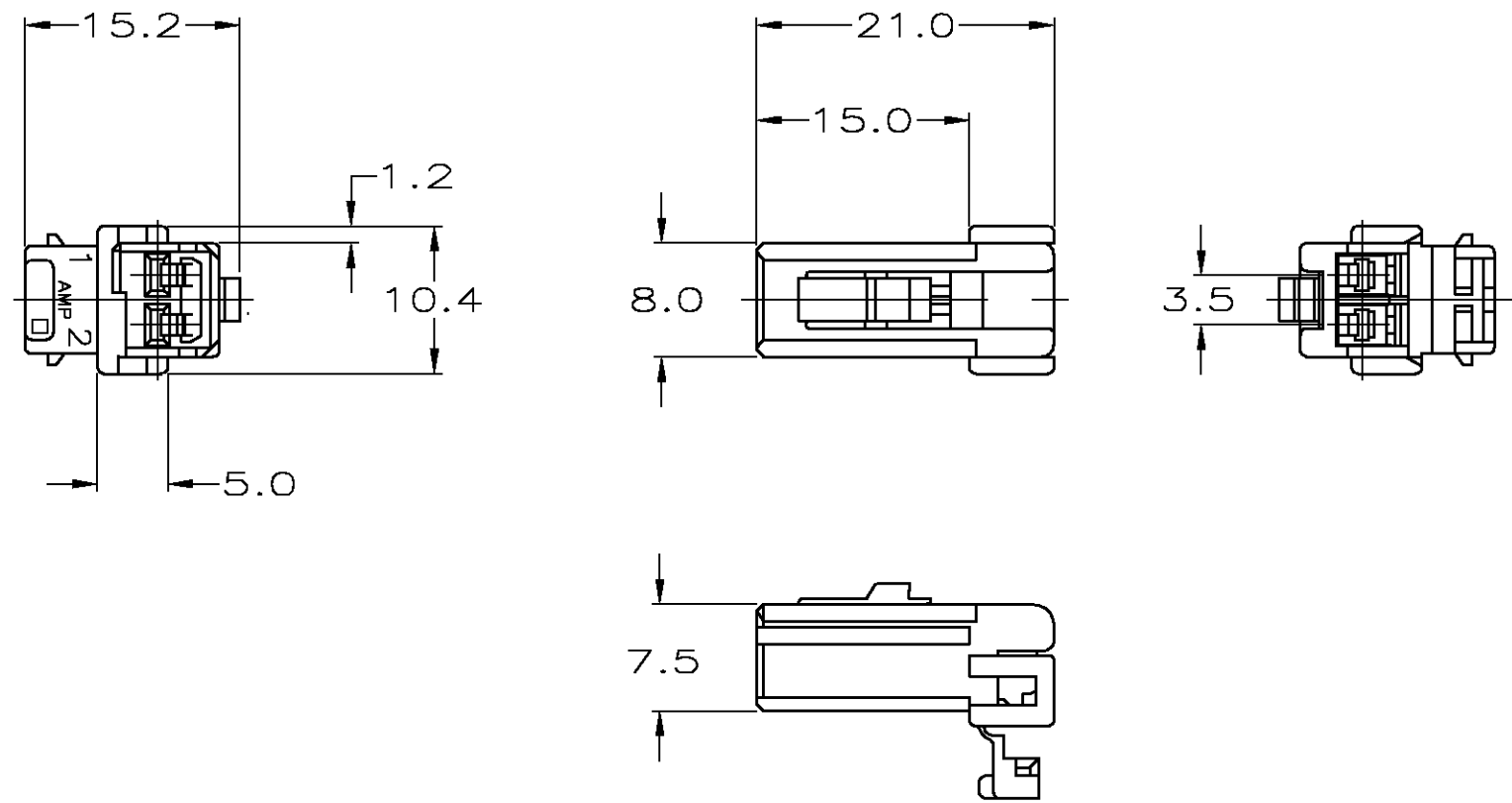


THIS DRAWING IS UNPUBLISHED. RELEASED FOR PUBLICATION
 © COPYRIGHT BY TYCO ELECTRONICS CORPORATION. ALL RIGHTS RESERVED.

LOC	DIST	REVISIONS				
P	LTR	DESCRIPTION	DATE	DWN	APVD	
FX	55					
	D	REDRAWN - EC 0K80-0003-03	05FEB03	JRB	SSA	



1. MATES TO MOLDED-IN INTERFACE DEVICE.
2. APPLIED CONTACT PART NUMBER 173631.

BLACK	776127-2
COLOR	PART NUMBER

THIS DRAWING IS A CONTROLLED DOCUMENT.		DWN	P. YEAGER	9-6-96	Tyco Electronics Corporation Harrisburg, PA 17105-3608
DIMENSIONS: MM		CHK	R. GRAY	9-6-96	
		APVD	R. GRAY	9-6-96	
TOLERANCES UNLESS OTHERWISE SPECIFIED:		PRODUCT SPEC		NAME	
0 PLC ± - 1 PLC ± 0.25 2 PLC ± 0.13 3 PLC ± - 4 PLC ± - ANGLES ± -		APPLICATION SPEC		PLUG HSG, 2 POSN, RIGHT KEYED .070 SERIES MULTI-LOCK	
MATERIAL PBT		FINISH -		WEIGHT -	
		CUSTOMER DRAWING		SCALE	2:1
		SIZE A3		CAGE CODE	00779
		DRAWING NO		C-776127	
		RESTRICTED TO		-	
		SHEET		1 OF 1	
		REV		D	